



PIXELTUF provides the ultimate user experience. With PIXELTUF, form follows function. Clean, organic lines marry nicely with a compact, personal power product.

Incorporating an AC power socket, USB A and USB C smart charging (PD), and even data/AV options, what more could you want?

All these fantastic features blend seamlessly into all types of furniture including desks, height-adjustable tables, meeting tables, soft-seating, booths and pods.

PIXELTUF's unique design with sweeping organic curves ensure protection against liquid ingress.

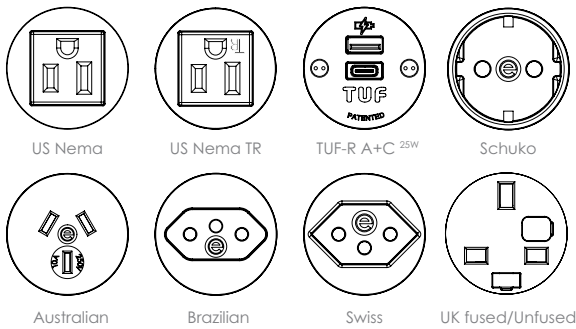
Accessible from any angle, PIXELTUF mounts vertically or horizontally into a 3.15" (80mm) grommet without the need for any tools. So compact and stylish, it enhances furniture without demanding attention.



UNIQUE SELLING POINTS:

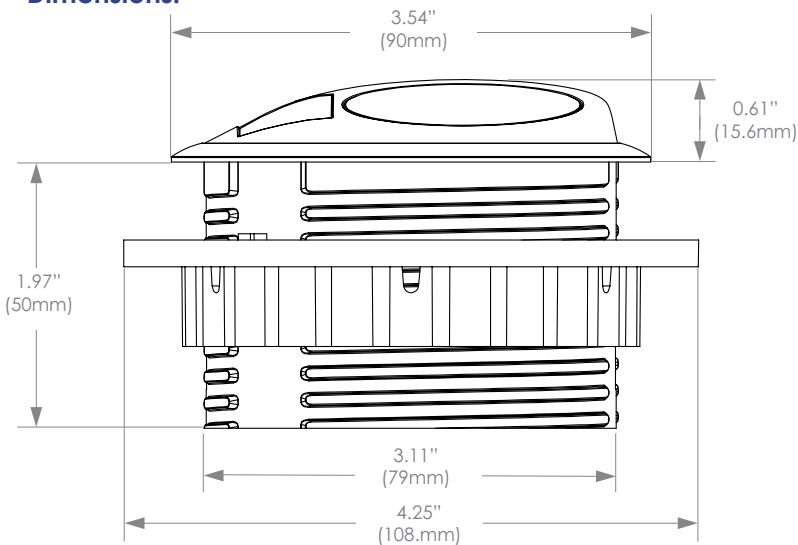
- Fastest possible charge for your handheld device
- AC power, USB charging, and data in a single compact design
- Shallow 2" deep housing
- 3.15" (80mm) grommet mount
- Mix and match custom color options

Available Modular Components:

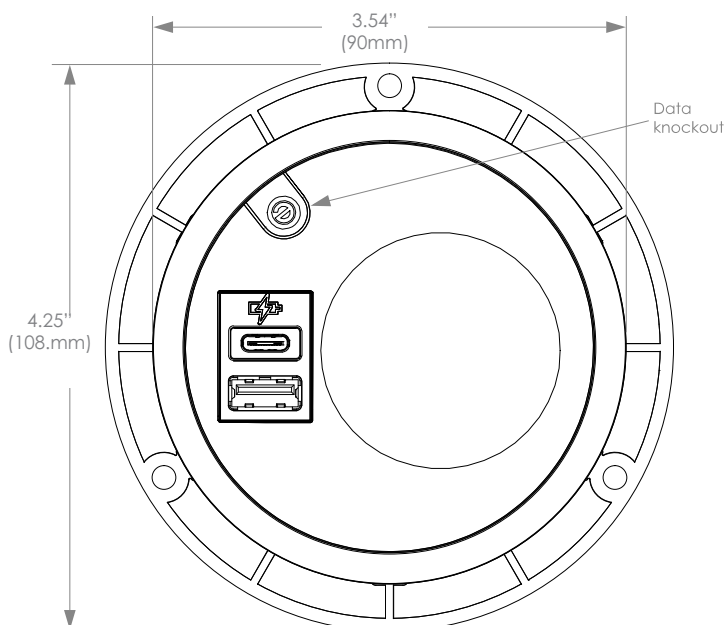


See www.oeelectrics.com for full list of available [modular components](#).

Dimensions:



* Suitable hole cutters are available from OE Electrics. Please contact sales



Configuration:

Populate PIXELTUF with:
 - 42mm power socket, or
 - TUF-R A+C 25W USB charger

Data/AV:

Any single data or AV cable up to 9mm diameter via the Data knockout

Power and Cord:

PIXELTUF is wired as standard with a 32" 14/3 SJT cord to a male GST connector to be used with [OE's pluggable GST system](#).

Available by special order wired with a NEMA 5-15 cord and plug.

A starter cord is required for GST option:
 72" or 108" 14/3 SJT cord with female GST connector, NEMA plug, and Integral OCP standard.

Cable management:

PIXELTUF incorporates a convenient integral attachment point for OE's Pathfinder umbilical, as standard

Colors:

Housing: black or white

Socket fascia: black or gray (NEMA TR sockets - black only)

Trim ring: silver

Custom-8 specialty color available on rings



Mounting:

PIXELTUF fits into an industry standard 3.15" (80mm) grommet hole. Simply remove the clamp ring, feed the cables through the grommet, and slide the PIXELTUF into place. Orient the PIXELTUF and screw the clamp ring. Compatible with surfaces .04" (1mm) to 1.57" (40mm).

Quality and Testing:

All PIXELTUF units are manufactured using ISO9001 quality controlled components and practices, and are 100% tested before shipment

- Visual: Configuration and appearance
- Power sockets: Continuity, polarity, insulation & ground
- TUF-R A+C 25W USB charger: Fully function tested, as well as 4 hour "full-load" soak tested"
- Data & AV: 100% continuity tested; all orders are batch tested for performance compliance

"we test every pin in every socket in every module"

Certifications:

cETLus - UL962A / CSA22.2

International certifications available upon request.