



Make power FUN again! Less is definitely more with PENDULUM's minimalist design. Conveniently locate power or USB charging exactly where it's needed. PENDULUM not only adds style, but with exciting socket and bezel combinations, you can easily add a splash of color to your workspace.

Applied in singles or bundles of three, an individual PENDULUM module can be securely fixed under the table edge using our special chrome mounting cage with matching cable capture. Alternately, the package of three can be conveniently located in a 3.15" (80mm) grommet with PENDULUM cradle and a single cord and NEMA plug.

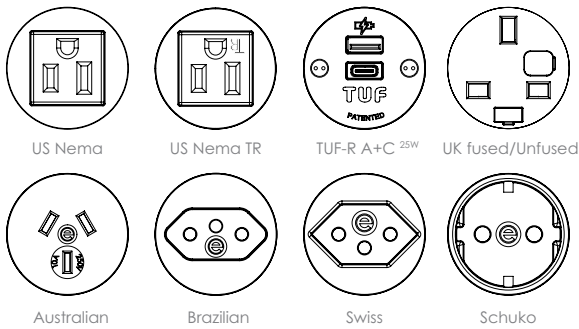
PENDULUM can also be fitted to a flexible chrome goose neck to provide an innovative solution for delivering power to casual seating areas or other challenging applications – see [POSE](#) for more details.



UNIQUE SELLING POINTS:

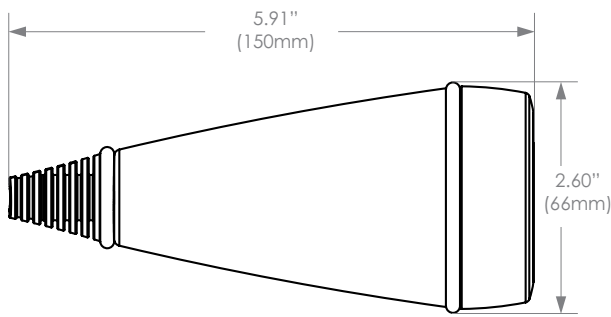
- Single or in bundles of three
- Available in a range of color combinations
- A choice of AC power sockets or patented TUF-R A+C 25W USB charger

Available Modular Components:



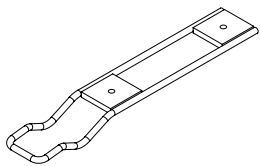
See www.oelectrics.com for full list of available [modular components](#).

Dimensions:

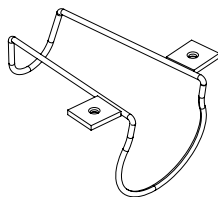


Pendulum accessories:

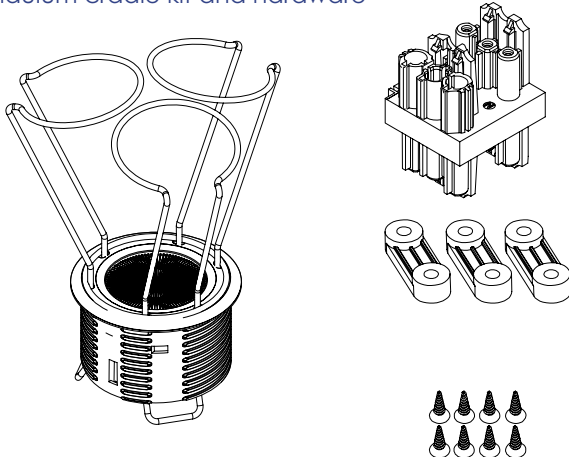
Wire underdesk cable capture



Wire underdesk holder



Pendulum cradle kit and hardware



Configuration:

Populate PENDULUM's aperture with:
 - 42mm power socket, or
 - TUF-R A+C 25W USB charger

Construction:

High strength fire retardant polycarbonate mouldings and flexible cable strain relief.

Colors:

Main body - White or black
 Power socket fascia - Gray or black (NEMA TR sockets - black only)
 Cable gland - Black
 Power cable - Black
 Socket bezel - White, black or colors shown below
 Custom-8 colors optional on bezel



Power and Cord:

PENDULUM is wired as standard with a 32" 14/3 SJT cord to a male GST connector to be used with [OE's pluggable GST system](#).

Available by special order wired with a NEMA 5-15 cord and plug.

A starter cord is required for GST option: 72" or 108" 14/3 SJT cord with female GST connector, NEMA plug, and Integral OCP standard.

Installation:

Standard mounting options are the two part under desk wire cage for a single unit or the 3.15" (80mm) grommet cradle for up to 3 units. Alternatively PENDULUM can be fitted to a flexible steel "goose neck" - See [POSE](#)

Quality and Testing:

All PENDULUM units are manufactured using ISO9001 quality controlled components and practices, and are 100% tested before shipment

- Visual: Configuration and appearance
- Power sockets: Continuity, polarity, insulation & ground
- TUF-R A+C 25W USB charger: Fully function tested, as well as 4 hour "full-load" soak tested"

"we test every pin in every socket in every module"

Certifications:

cETLus Listed - UL962A/CSA22.2

International certifications available on request.