

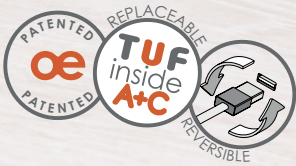


PANDORA is an innovative solution for powering small meeting areas suitable for 2-3 people such as meeting rooms, huddle spaces, cafés, offices and public spaces.

Providing 360° access while fitting cleanly into a 5" (127mm) grommet hole, PANDORA presents a near flush profile.

With simple, easy to orient installation, a choice of AC power sockets, our patented TUF-R A+C 25W USB charger and data/AV connectivity, PANDORA is ideally suited to meeting tables, informal breakout areas, cafés, and hotels.

Molded in either white or black textured PC/ABS, PANDORA is both attractive and durable. For next-level appeal, choose the optional brushed stainless-steel inlay*.



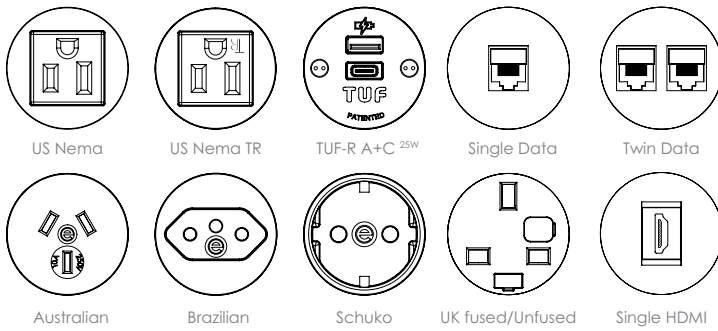
*Black only

UNIQUE SELLING POINTS:

- Near flush profile
- 360° degree access
- Flip lid closure when not in use
- 5" (127mm) grommet hole mount
- Choice of AC power socket, TUF-R A+C 25W USB charger, or data/AV

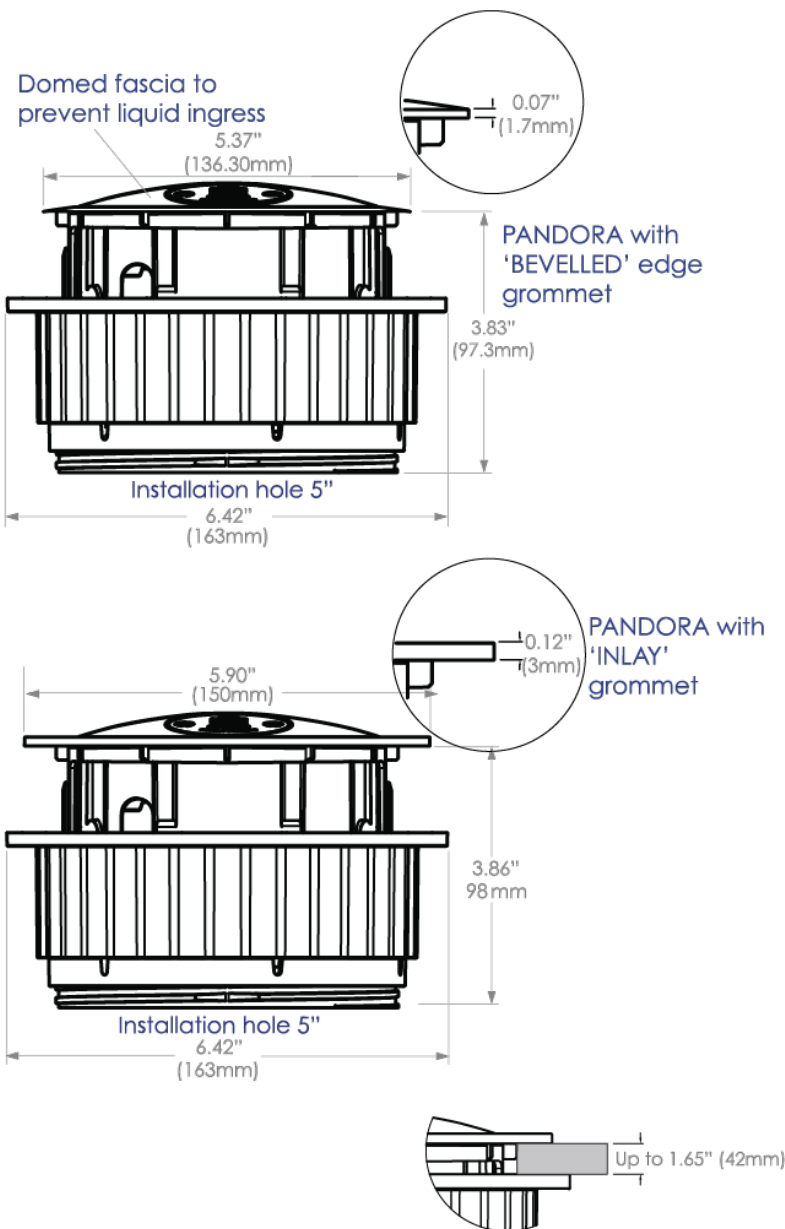


Available Modular Components:



See www.oelectrics.com for full list of available [modular components](#).

Dimensions:



Both BEVELLED edge and INLAY PANDORA are suitable for surfaces up to 1.65" (42mm) thick

Configuration:

Populate PANDORA's apertures with:
 - 42mm power socket, or
 - TUF-R A+C 25W USB charging, or
 - 1 Data/AV

Color:

- White or black body
- Socket fascia in gray or black (NEMA TR sockets - black only)
- Brushed stainless steel inlays optional (black only)

Power and cord:

PANDORA is wired as standard with a 32" 14/3 SJT cord to a male GST connector to be used with OE's [pluggable GST system](#).

Available by special order wired with a NEMA 5-15 cord and plug.

A starter cord is required for GST option: 72" or 108" 14/3 SJT cord with female GST connector, NEMA plug, and Integral OCP standard.

Data:

PANDORA can be supplied with factory install data/AV. Contact OE for options.

Mounting:

Both Inlay and Bevelled Pandora can be clamped in a 5" hole using the clamp ring (from the underside). Note: Clamp ring has provision to be locked with screws.

Where rear access is impeded, the Inlay Pandora has the option of front screw fix.

Quality and Testing:

All PANDORA units are manufactured using ISO9001 quality controlled components and practices and are 100% inspected before shipment.

- Visual: Configuration and appearance.
- Power sockets: Continuity, polarity, insulation & grounding
- TUF-R A+C 25W USB charger: Fully function tested, as well as 4 hour "full-load" soak tested"
- Data & AV: 100% continuity tested; all orders are batch tested for performance compliance

"we test every pin in every socket in every module"

Certifications:

cETLus - UL962A / CSA22.2

International certifications available upon request.