

PICCOLO DC



PICCOLO DC with **TUF-R®/HP** is OE's most compact high power 72W power delivery USB A+C charging option. When combined with our QF30 power supply, **PICCOLO DC** provides up to 60W through the USB-C port, allowing for laptop charging, and up to 12W fast charge through the USB-A port; perfect for phones and tablets.

PICCOLO DC's design separates the AC to DC Power Supply Unit (QF30 PSU) from the USB outlets providing the smallest possible footprint above the surface. Remotely locating the PSU also adds a margin of safety by removing AC power from the USB interface.

PICCOLO DC can be mounted on a desk or under a desk, using screws, clamp bracket, Velcro, or adhesive pads, enabling you to provide high-power USB charging outlets wherever you see a need.



- 60W USB-C laptop charging
- Unique Reversible USB-A connector
- Multiple mounting options
- 24-30V DC power input
- Designed for use with OE QikFit 30 PSU
- Optimum safety for use in public areas

PSU
QF30 AC/DC power supply unit

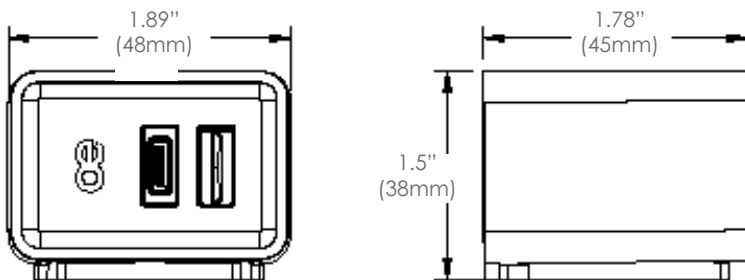
PICCOLO DC

QIKTRAY



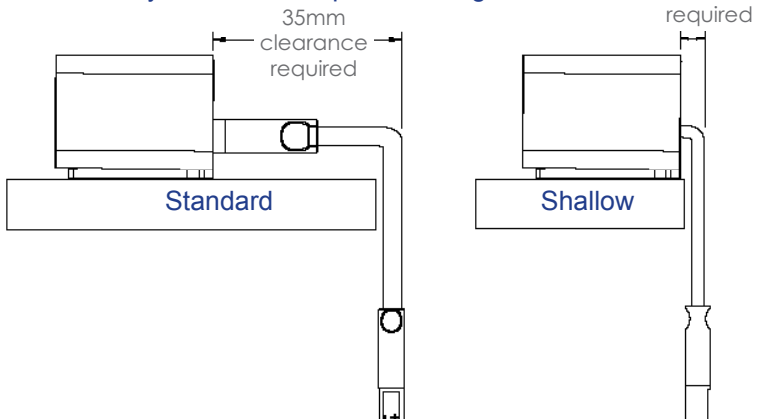
USB Charging Outlets	1 x Type C (Reversible) 1 x Type A (Reversible)
Power In connector	Male GST08 DC connector
Rated Total Output Power	72W MAX
Output Voltages & Currents	TYPE C: MAX 60W 20V/3A, 15V/3A, 9V/3A, 5V/3A (PD3.0) 3.3 - 11.0V / 3.2A (PD PPS Mode) QC 2/3.0 5V/3A, 9V/2A, 12V/1.5A TYPE A: MAX 12W 5V / 2.4A IDR BC1.2, Apple 12W Mode Samsung Fast Charge
Input Voltage	24 - 30V DC
USB Connector Min. Insertions	Type A 10,000 Type C 10,000
Over Current Protection	Yes. Digital control at 3.3A. Auto reset with LED flash.
Short Circuit Protection	Yes. Digital control at 3.3A. Auto reset.
Over Temperature Protection	Auto Power Reduction to PD 45W Mode. 20V/2.25A, 15V/3A, 9V/3A, 5V/3A
Rated Operating Temperature	0° TO 25°C
Certifications – Safety	IEC 62368-1 : 2014
Certifications –EMC	EN61204 : 2018 EN 50121-3-2 (railway) FCC part 15 (B)
Certifications ROHS	EU 2015/863
User Replaceable USB module	No

Unit Dimensions



Cable Options

GST08 cable can be extracted from PICCOLO DC body for shallow depth mounting



Construction

High strength fire retardant polycarbonate

Colors

Black or white

Power cord options:

GST08 male to female interconnect cable

Installation:

PICCOLO can be mounted on or under a desk top, using screws or Velcro/adhesive pads. In addition PICCOLO can be mounted to monitor arm pillars using Velcro cable ties

Quality & Testing

All PICCOLO units are manufactured using ISO9001 quality controlled components and practices and are 100% tested before dispatch:

- Visual: Configuration and appearance
 - USB charger: Output voltage and resistance
- “We test every pin on every connection in every socket”

CE Marking

PICCOLO is CE marked by OE Electrics as complying with:

- Electromagnetic Compatibility Directive 2014/30/EU
- Low Voltage Equipment Directive 2014/35/EU
- ROHS3 Directive EU 2015/863

Mounting

