

brush grommet



A premium brush strip grommet for installation in an industry standard 3.15" (80mm) desk top aperture.

Moulded in high strength fire retardant polycarbonate with attractive satin silver painted top surface, the OE Brush Grommet is held securely in place by the hand tightened locking nut.

The 2.09" (53mm) diameter high density nylon brush strip ring prevents dirt and dust ingress whilst neatly managing single or multiple power and data cables.

UNIQUE SELLING POINTS:

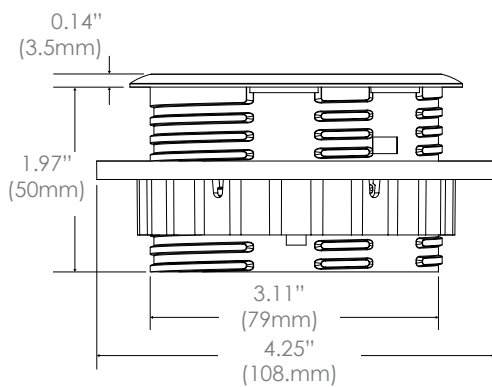
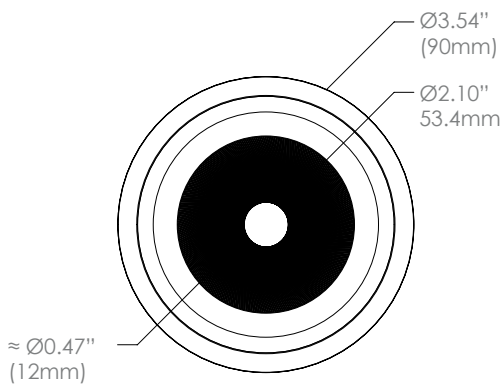
- Fits a standard 3.15" (80mm) grommet hole



brush grommet

Technical

Dimensions:



Mounting:

BRUSH GROMMET fits into an industry standard 3.15" (80mm) grommet hole. Simply remove the clamp ring, slide the BRUSH GROMMET into place, and screw the clamp ring. Compatible with surfaces .04" (1mm) to 1.57" (40mm).

Quality and Testing:

All BRUSH GROMMET units are manufactured using ISO9001 quality controlled components and practices, and are 100% tested before shipment

- Visual: Configuration and appearance

"we test every pin in every socket in every module"

Certifications:

cETLus - UL962A / CSA22.2

International certifications available upon request.

