



arc
ADVANCED RESONANT CHARGER

Get the ultimate charging convenience with **ARC-H**.

No modification to the surface required, simply stick or screw **ARC-H** to the underside of your surface and plug it in!



Through-surface wireless charging is the ultimate in charging convenience.

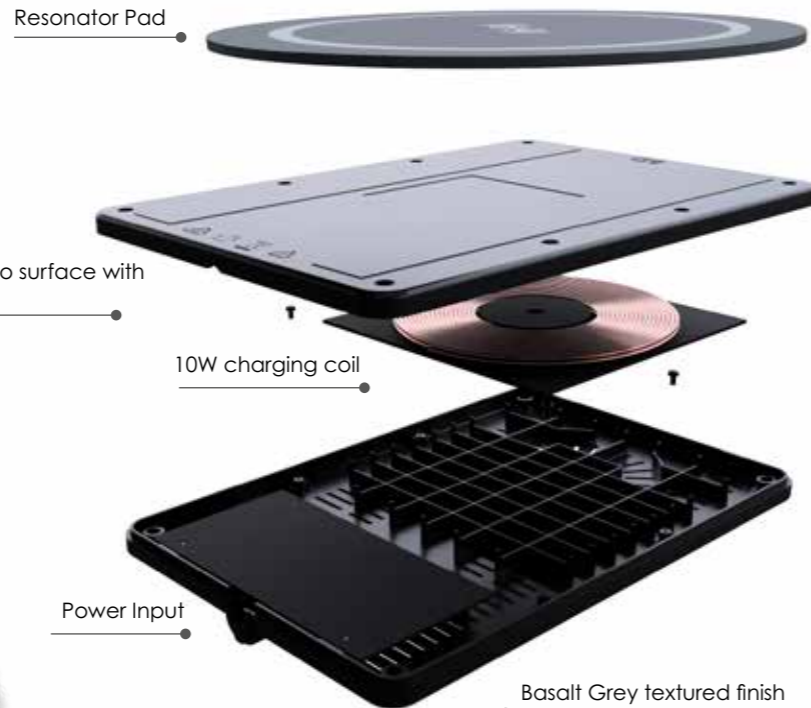
ARC-H is one of the fastest wireless chargers available, making Arc-H perfect for quick boosts or a full recharge and, arc pad ensures proper phone placement every time!

arc-H

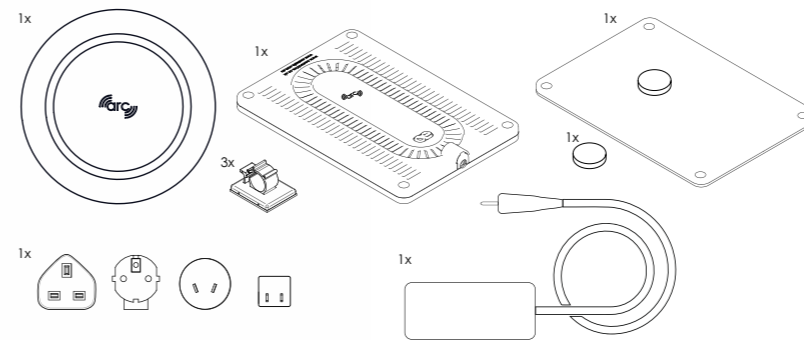
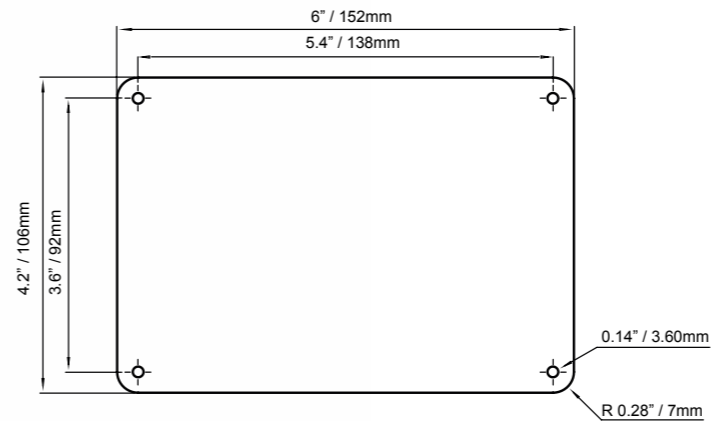


arc-H

ARC-H can be installed on surfaces 0.78 - 1.18" (20-30mm), negating the need to cut into the underside of the surface for most standard installations.



ARC-H Dimensions



Specifications

Output power:	Up to 10W
Input power:	19V/0.94A
Standby power:	0.2 W
Charging Z-Distance:	0.78 - 1.18" (20-30mm) surface thickness
Desk Thickness:	No under-desk routing for surfaces 0.78 - 1.18" (20-30mm). Thicker surfaces require under-desk routing to comply with FCC requirements.
Certification:	FCC Part 15 IEC 60950-1 (Safety) EN62311 (Health) EN 301 489-1 EN 301 489-3 (EMC) EN 303 417 (Radio) Qi Compatible
Available colors:	Resonator Pad and the ARC-H (LD) Body are RAL 7012 Basalt grey
In the box:	1x ARC-H (LD), 1x Resonator pad, 1x Power adapter with 59" (1.5m) lead and NEMA, UK, Euro 2 pin, and Australian/Chinese plugs 1x Alignment Magnet, 3x Cable Clips, 1x Installation Manual

arc80

ARC80 from OE Electrics offers the latest generation in wireless charging, providing a clutter free and convenient way to charge your phone. ARC80 is specifically designed to work with both Samsung 10W and Apple 7.5W charging modes in addition to the standard 5W charge.

Available in white or black, ARC80 uses the most advanced wireless charging technology to charge your phone without the need for cables.



Lose those annoying cables and get charging with **ARC80**.

Rest your compatible wireless charging device on **ARC80** for a fast convenient charge.



arc80

ARC80 fits neatly into a standard 3.15" (80mm) hole. Connect to the power adapter or other 10W USB A port and let the charging begin!



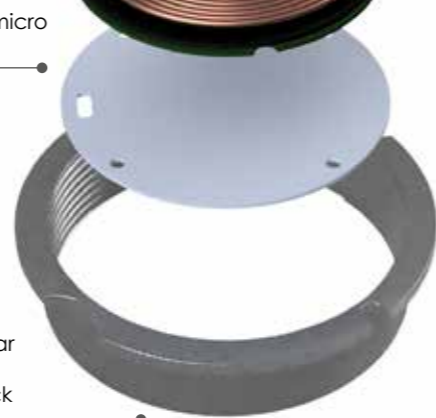
Beautiful and robust cast aluminium finish



10W charging coil

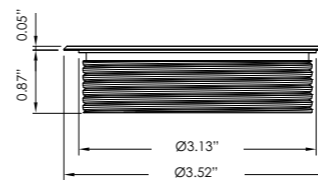
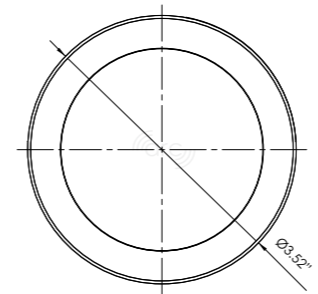


Universal micro USB input

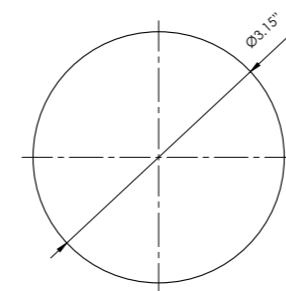


Reversible collar for surfaces 0.8" - 1.38" thick

ARC80 Dimensions



ARC80 Cutout

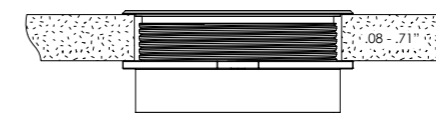


Specifications

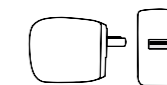
Output power:	10 W (DC5V 1A / 9V 1.1A)
Input power:	15 W Max (DC5V 2A / 9V 1.67A)
Standby power:	0.45 W
Charging Z-Distance:	0-.3" (coil to coil)
Surface Cutout size:	3.15" (80mm)
Desk Thickness:	.08"-1.38" (2-35mm) .08"- .71" (2-18mm) and .71"-1.38" (18-35mm)
Certification:	FCC part 15 Qi certified
Housing Material:	Anodised Aluminium
Available colors:	Black center with a black anodized aluminum rim. White center with a silver anodized aluminum rim.
In the box:	ARC80 wireless charger, Micro USB cable, mounting tool

ARC80 Fitting

A) For thin surfaces



B) For thick surfaces



*power adapter sold separately





arc-H



arc80

Contact Us

Sales

email

1-(844) 927-0600 toll free

sales@oeelectrics.com

Website

www.oeelectrics.com

Address

(head office)

OE House, Thomas Maddison Lane,
Calder Park, Wakefield,
West Yorkshire, WF4 3GH

Overseas

Manufacturing

Sales Offices

OE Elsafe

tel: +61 (0) 2 9454 7515
email: sales@oeelsafe.com.au
www.oeelsafe.com.au

Head Office (Wakefield)

tel: +44 (0) 1924 367255
email: sales@oeelectrics.co.uk
www.oeelectrics.co.uk

Europe + rest of world

tel: + 49 175 689 7227
email: global@oeelectrics.co.uk

OE Electrics GmbH

Tel: +49 (0)2261 958 3001
email: info@oeelectrics.de
www.oeelectrics.de

London

tel: + 44 (0) 20 72539738
email: london@oeelectrics.co.uk

