

pixelTUF

The PixelTUF from OE Electrics' combines an AC power socket and fully integrated TUF USB charger with both USB type-A and Type-C, in a compact 80mm grommet unit.

PixelTUF enables the time-short mobile worker to charge a laptop at the same time as charging their mobile phone and tablet! Perfect for hot desks, drop in areas, airports & hotels.

PixelTUF fits almost flush at any angle into a standard 80mm grommet cut out without the need for tools. You may even forget it's there until you need it.

PixelTUF's unique patent applied for design complies with BS5733 and the sweeping organic curves ensure protection against liquid ingress as required by BS6396.



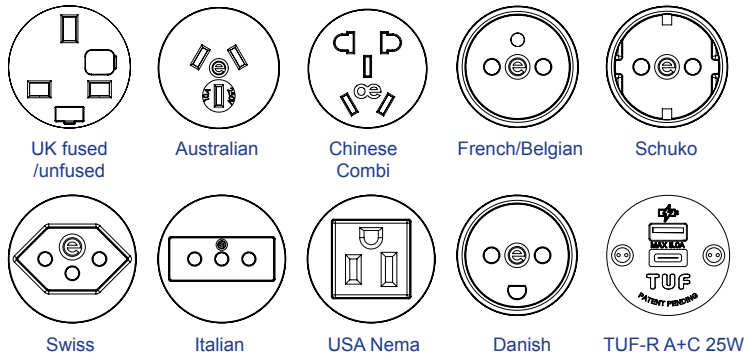
USPs

- Stylish organic design ensures protection against liquid ingress
- High strength polycarbonate enclosure - only 50mm deep
- Data or A/V cable pull through feature

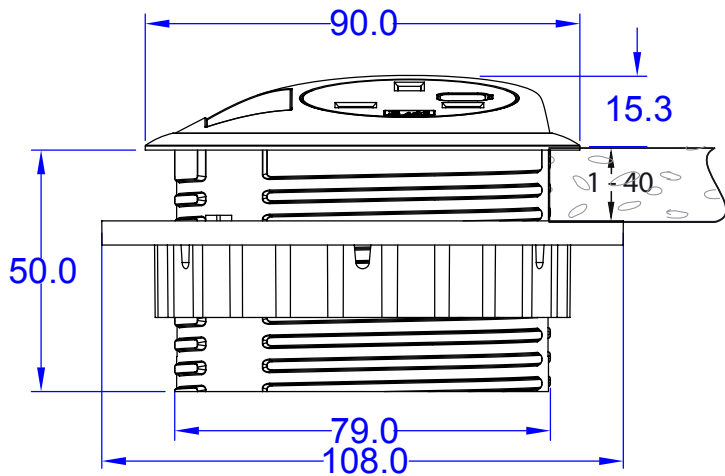


technical

AC Modular sockets for PixelTUF



Pixel TUF Dimensions



All dimensions in millimetres

* Suitable hole cutters are available from OE Electrics. Please contact sales
 † Other sockets available soon

Technical data

USB charging outlets	1 x Type-A, 1 x Type-C
Charging Current:	Type C 5V up to 3.0A Type A 5V up to 2.5A Maximum combined output 5A
AC voltage range	110-240V AC 50/60Hz
AC input current	Max 0.25amp at full load Less than 0.5mA at no load
Rated total Output	25W max
Output voltage	5V DC +/- 5%
Standby Power use	Less than 0.05W
MTBF*	Min 5 years in normal use
USB connector	Gold Plated - min 5000 insertions
Over current protection	Yes - self regulating
Short Circuit protection	Yes - Auto reset
Apple ipad/iphone compatible	Yes
Blackberry compatible	Yes
Operating Temperature range	0° to 35°C
Max relative humidity	85% RH

Features

Power:

Single AC power socket from our 42mm range

USB Charging:

TUF A+C with a maximum combined output of 5A

Fusing: (UK socket option only to enable compliance to BS6396)

5 x 20mm anti-surge ceramic fuses, with colour-coded fuseclips to denote the rating (3.15A/5A), with spare fuse in base.

Power input:

3 core 1.5mm² power cord to GST 18/3 Wieland or appropriate power cord to national mains plug.

Data A/V cable pull though:

Single cable up to Ø9mm via knockout in pixel/TUF fascia

Cable management: attachment point for pathfinder umbilical.

Testing:

100% testing - continuity, polarity, insulation & earth, plus TUF charger output.

Colours:

Standard colours: black with silver grommet ring or white with silver grommet ring.

Certifications:

UL962A/CSA22.2

Fitting:

If your desk already has an industry standard 80mm hole* simply take the fixing nut off your newly purchased PixelTUF, feed the cables through the hole and gently slide your PixelTUF into place. Make sure your PixelTUF is facing the desired orientation and screw the fixing nut back on until it is firmly in place. PixelTUF will fit any surface from 1mm to 40mm.

Charging times from 10% to 90%

Device	Mins	
iPhone 8	71	(Type C)
	75	(Type A)
Samsung Galaxy Note 8	69	(Type C)
	87	(Type A)
iPad Pro 9.7	125	(Type C)
	325	(Type A)

TUF Certifications

Compliant with: EN61204-3/CISPR22
 Certified to: UL/IEC 60950-1