



PETRA is a premium panel mount power and data solution from OE Electrics, designed to complement the very best in contemporary office furniture.

The design highlight of PETRA is the one piece matt white or brushed finish stainless steel socket frame, with contrasting circular black or grey power and data fascias.

PETRA's four socket apertures can be fitted with your choice of UK or international power sockets, the class leading OE TUF-R A+C 25W USB charger and data/AV connections.

PETRA's built in mounting clips allow fast on site or factory screwless installation into screens from 5mm to 15mm thick.



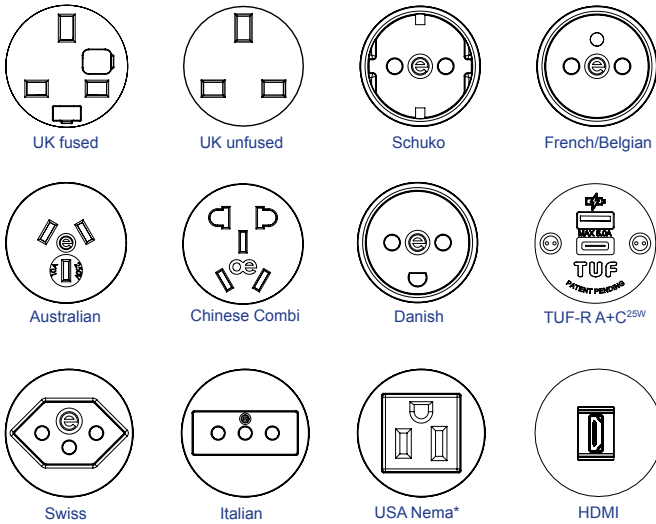
USPs

- 2mm stainless steel fascia
- Wide range of power sockets
- OE TUF-R A+C 25W option
- Built in mounting clips

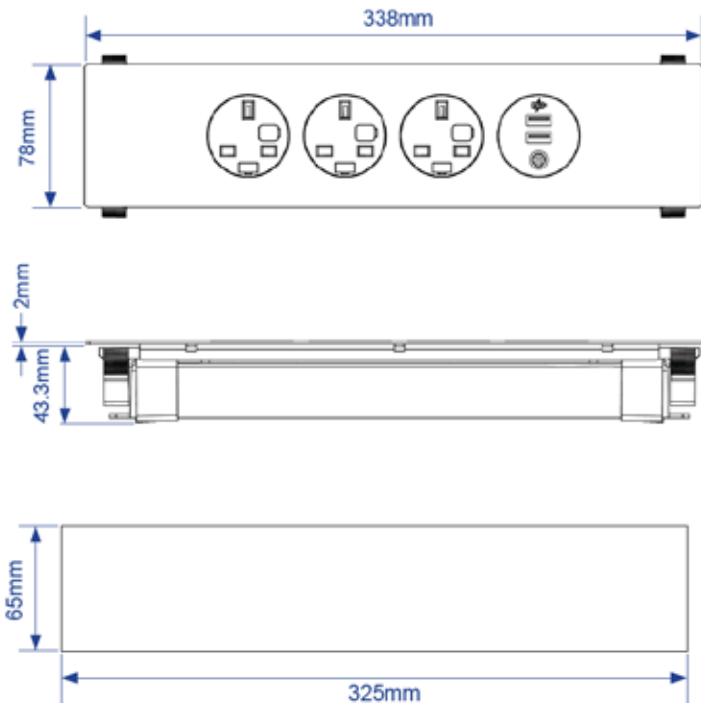


technical

Common Modular Components⁺



Unit dimensions



CE Marking

All units built with UK and European socket types are CE marked by OE Electrics as complying with:

- Electromagnetic Compatibility Directive 2014/30/EU
- Low Voltage Equipment Directive 2014/35/EU
- RoHS2 Directive 2011/65/EU

Certifications

AC power sockets - BS1363/5733, IEC60884-1, UL498, CCC, AS/NZS3112

Power Unit - BS5733, UL962A

TUF 5A - IEC60950-1/UL60950-1

TUF-R A+C - IEC60950-1/UL60950-1 & EN61204-3/

CISPR22

oeelectrics
always innovating

Features

Configuration

PETRA's four socket apertures can be configured with any combination of:

- AC power sockets from the OE Electrics 42mm international range,
- The class leading TUF25W USB charger,
- Data and AV fascias with keystone connectors and cables.

Construction

Power Unit body - Fire retardant ABS.

Socket fascias - Fire retardant polycarbonate.

Socket frame - 2mm brushed stainless steel.

Colour Options

Socket frame: Matt white or brushed stainless steel

Socket fascias: Black or grey

Installation

PETRA fits into a 325mm x 65mm rectangular cut out in metal or wood screens 5mm to 15mm thick. Built in spring action mounting clips allow secure fixing without need for screws (rear access required).

Fusing (to enable compliance to BS6396)

UK fused sockets if specified are fitted with 5 x 20mm anti-surge ceramic fuses, with colour-coded fuse clips to denote the rating (3.15A/5A).

Earth grounding

Units with UK BS1363 sockets are fitted as standard with a 250mm external earth lead to enable compliance with BS6396. Optional on units with other socket types.

Power entry/cord options

Power in - Integral GST18-3 male connector.

Power out - Optional GST18-3 female connector.

Testing

All PETRA units are manufactured using ISO9001 quality controlled components and practices and are 100% tested before dispatch.

- Visual: Correct configuration and appearance.
- Mechanical: Correct operation of rotating mechanism.
- Power sockets: Continuity, polarity, insulation & earth
- USB charger: Output voltage and resistance Data & AV: All sockets continuity tested with batch performance testing

OE House, Thomas Maddison Lane, Calder Park,
Wakefield, West Yorkshire, WF4 3GH

Tel: +44 (0) 1924 367255 Fax: +44 (0) 1924 290652

Email: sales@oeelectrics.co.uk www.oeelectrics.com