



Particularly suited for Hot-desking situations or simply to provide personal desk top power for the general office: PENTA units can assist with meeting the requirements of the Disability Discrimination Act (DDA) in the workplace by providing facilities accessible to all on the worksurface.

Used in conjunction with underdesk units PENTA provides a total solution for power and data connectivity at the workstation.

Based on an aluminium extrusion in lengths of up to 3 metres, PENTA may be used to accommodate mains sockets, data and other connectors as a comprehensive desk top unit to the customers exact specification.

Standard colours - Silver anodised body - black fascias and end caps.

All **OE** Electrics products are manufactured to enable compliance with BS6396 or BS7671 where relevant. UK sockets incorporate fuses as standard with colour coded insets indicating fuse rating.



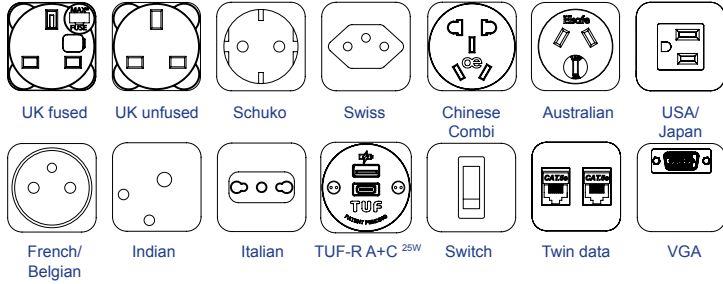
USPs

- Available in lengths of up to 3m
- Available with TUF charger
- BS6396 compliant (where applicable)
- Available with power sockets from different nationalities



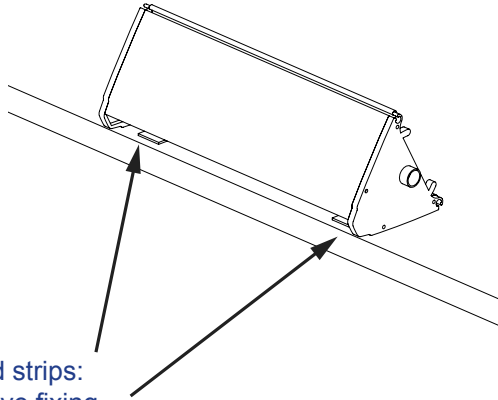
technical

Common Modular Components*



*See website for more

Fitting



Chemical bond strips:
fast and effective fixing,
easily removed without marks

Features

Configuration:

Power only / Data only / Combined (Power & Data/AV)
Internal segregation between Power and Data/AV in
combined PENTA units

Earthing:

Spade terminal in the rear recess allows bonding to the
furniture (BS6396) using a standard 6.3mm push on
crimp terminal. Earth leads available on request.

Fusing: (to enable compliance to BS6396)

5 x 20mm anti-surge ceramic fuses, with colour-coded
fuseclips to denote the rating (3.15A/5A)

Security:

ANTI-FLEX system: Unique full length locking system
guarantees unit integrity regardless of length

Testing:

100% testing - continuity, polarity, insulation & earth

Soft Wiring (power)

Power hardwired to Wieland GST connector allows
starter cables to be changed to suit requirements,
especially useful during moves and changes (CHURN)

Soft Wired Data

As well as soft-wired power, PENTA can accommodate
soft wired data. Using our inline couplers, data cables
can be changed "on-site" to accommodate changes in
length often associated with churn

Unit Dimensions

