

# pendulum



Less is definitely more with our “minimalistic” PENDULUM power module. Designed to provide the user with a conveniently locatable power or USB charging socket, PENDULUM not only adds style but also a splash of colour to the workplace with its exciting socket and bezel colour options.

An individual PENDULUM module can be securely fixed under a table edge using our special chrome mounting cage with optional cable tidy. Alternatively up to three PENDULUM modules can be conveniently located in the centre of a meeting table with our 80mm grommet fit PENDULUM Cradle.

PENDULUM can also be fitted to a flexible chrome gooseneck to provide an innovative solution for providing power to casual seating areas and other special applications – see POSE for more details.

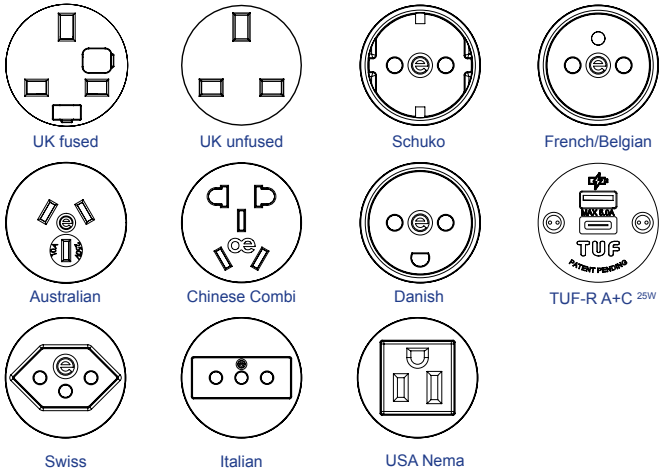
## USPs

- Bezel available in a range of vibrant colours
- Fixed or free standing mounting
- Suitable for many different environments
- Available with TUF charger
- BS6396 compliant (where applicable)
- Available with power sockets from different nationalities
- UK designed and manufactured

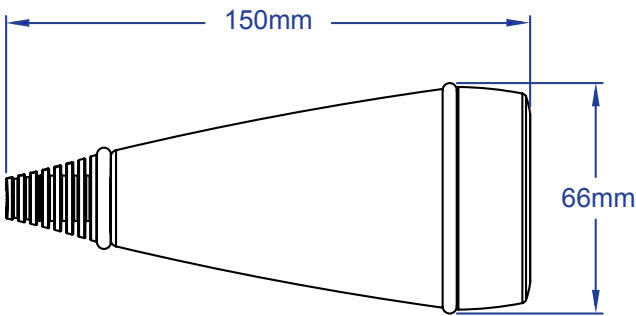


# technical

## Common Modular Components

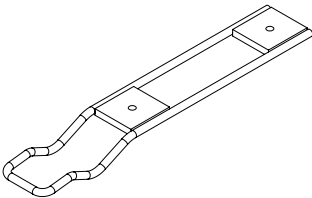


### Unit dimensions

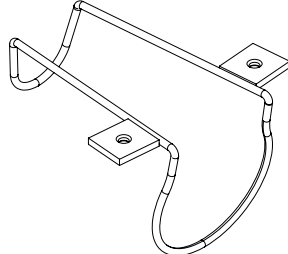


### Pendulum accessories

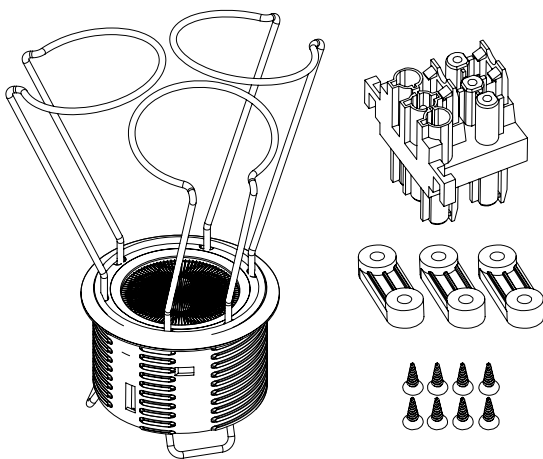
Wire underdesk cable tidy



Wire underdesk holder



### Pendulum cradle kit and fittings



### Features

#### Configuration:

The PENDULUM single socket apertures may be configured with our class leading USB Fast charger (TUF<sup>25W</sup>) or an AC power socket from the OE 42mm modular range

#### Construction:

High strength fire retardant polycarbonate mouldings and flexible cable gland

#### Colours:

- Main body - white or black
- Power socket fascia – grey or black
- Cable gland - black
- Power cable - white
- Socket bezel – white, black or colours shown below



#### Fusing: (to enable compliance to BS6396)

5 x 20mm anti-surge ceramic fuses, with colour-coded fuseclips to denote the rating (3.15A/5A)

#### Soft Wiring (power)

Power cord hardwired direct to a mains AC plug, or hardwired to a male Wieland GST connector for “soft wiring” e.g. connection to an under desk module or to a mains supply socket via a starter cable.

#### Certifications:

BS5733-2010 plus A1:2014 pending  
Wieland connectors - IEC61535  
OE 25W TUF - IEC60950-1/UL60950-1

**CE Marking:**All units built with UK and European socket types are CE marked by OE Electrics

#### Installation:

Standard fixing options are the two part under desk wire cage for a single unit or the 80mm grommet cradle for up to 3 units. Alternatively PENDULUM can be fitted to a flexible steel “gooseneck” – See POSE

#### Quality and Testing:

All PENDULUM units are manufactured using ISO9001 quality controlled components and practices and are 100% electronically tested before dispatch

- Visual: Configuration and appearance.
- Power sockets: Continuity, polarity, insulation & earth
- USB charger: Output voltage and resistance