

# QikFit TUF<sup>25W</sup>

QikFit TUF<sup>25W</sup> is our most compact solution for providing conveniently located USB 'fast-charging' for mobile phones and tablets and is ideal for installation in steel furniture such as lockers.

QikFit TUF<sup>25W</sup> keeps pace with rapidly changing USB charging technology by providing both Type-A and the latest Type-C USB ports, the latter providing up to 3A at 5VDC, with class leading efficiency.

Designed specifically for panel mounting, QikFit TUF<sup>25W</sup> has built in mounting clips for tool-less installation in panels up to 3mm thick and an integral GST18/3 male connector for quick connection of a suitable power supply cord.

Two or more QikFit TUF<sup>25W</sup> units can be interlinked using either the OE J-Coupler system or Wieland distribution blocks and then powered from a single OE starter cable to mains AC socket.



## USPs

- USB Type A and Type C ports
- Integrated panel mount clips
- Safety and EMC certified

# technical

QIKFIT TUF<sup>25W</sup> is for Charging only; no data transfer is available as no connection to a computer is provided.

USB charging outlets	1 x Type A Female 1 x Type C Female
Charging Current:	Max 5A in total
AC voltage range	240V AC 50/60Hz
AC input current	Max 0.6amp at full load <0.5mA at no load
Rated total Output	25W max
Output voltage	5V DC +/- 5%
Standby Power use	<0.05W
Life expectancy	Min 5 years in normal use
USB connector	Gold Plated - min 5000 insertions
Over current protection	Yes - self regulating
Short Circuit protection	Yes - Auto reset
Operating Temperature	0° to 30°C
Max relative humidity	85% RH

\*Insertion lifetime refers to USB contacts only

## Compatibility

Apple iPhone/iPad	Yes (including 2.4A)
Apple MacBook Laptop	Yes (Type C 3A)
Google Pixel Phone + Laptop	Yes (Type C 3A)
Android (USB BC1.2)	Yes
Samsung Tablet charging	Yes
Blackberry	Yes

## Additional features

- Dynamic Voltage Adjustment to compensate for Cable Voltage Loss
- Protection from external surges (3.5kA for 8/20us Pulse)
- Blue LED backlight which is visible through the USB apertures

## Features

### Configuration

1 x Type A & 1 x Type C USB charging sockets. GST18/3 male power in connector

### Construction

Fascia -	V0 Polycarbonate
Back -	V0 Polycarbonate

### Integral Fixings

Panel mount clips for surfaces 1mm - 3mm thick

### Colours

Fascia -	Black, or White RAL 9016
----------	--------------------------

### Quality & Testing

All Qikfit TUF<sup>25W</sup> units are manufactured using ISO9001 quality controlled components and practices and are 100% tested before dispatch.

- Visual: Configuration and appearance.
- USB charger: Output voltage and resistance

### CE marking

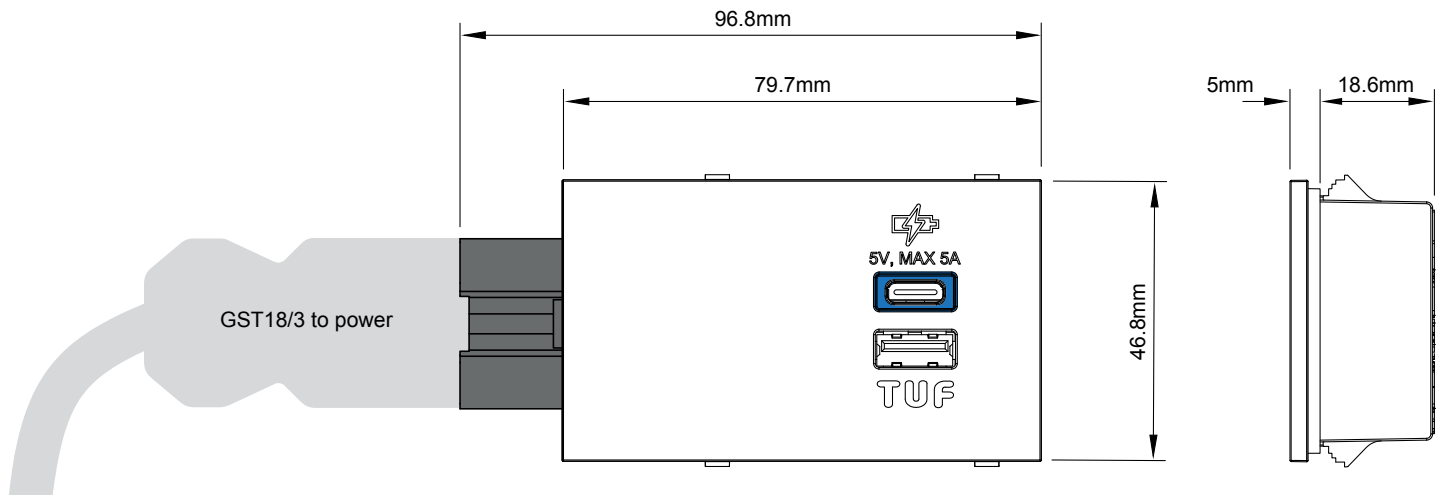
QikFit TUF<sup>25W</sup> is CE marked by OE Electrics as complying with:

- Low voltage directive
- EMC Directive
- RoHs Directive

### Certifications

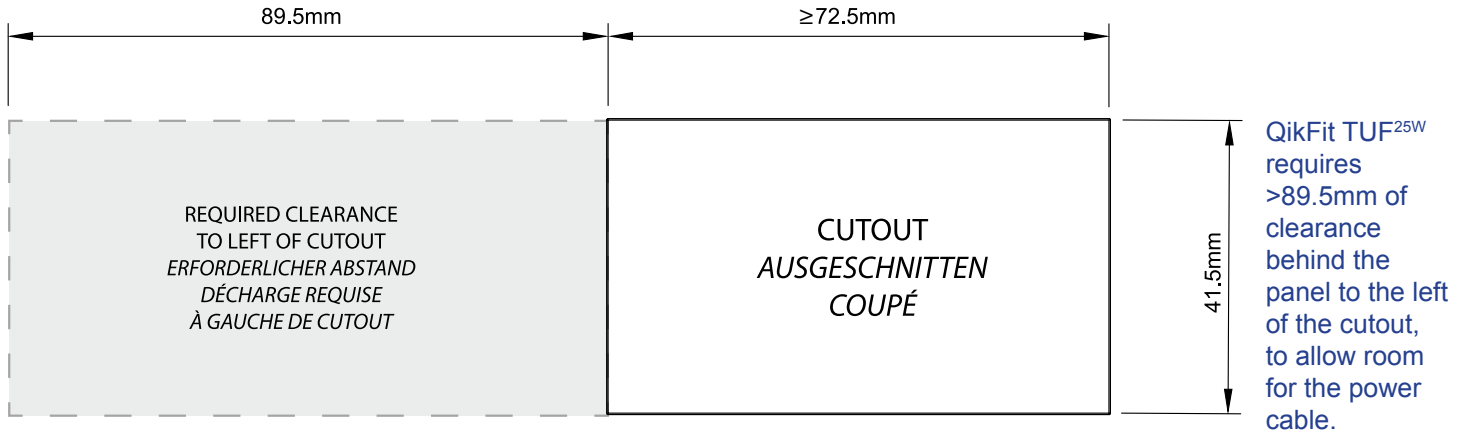
Safety -	IEC61558-2-16
EMC -	EN62104-3:2000, FCC Part (B) Class B

## Unit Dimensions



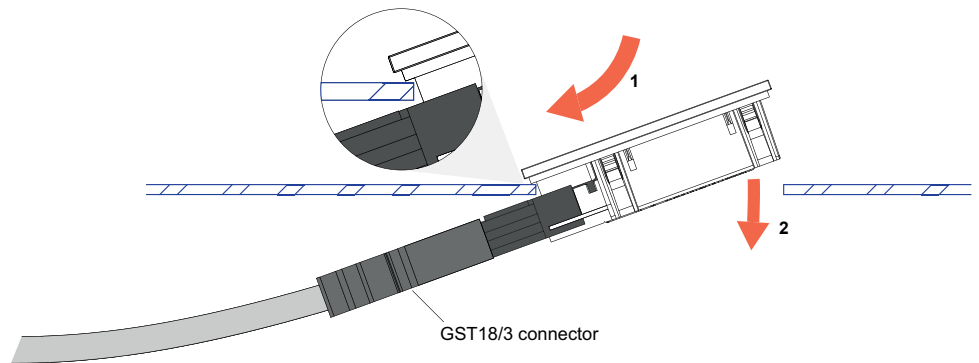
# technical

## Cutout dimensions

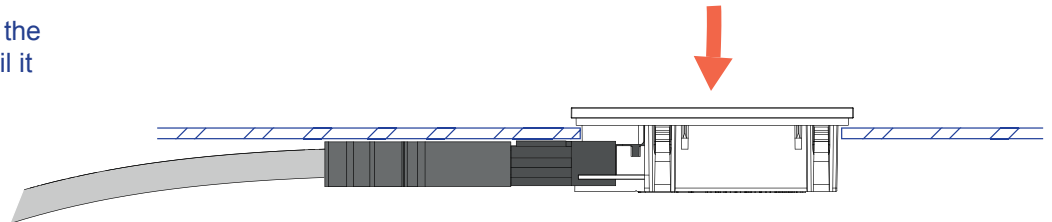


## Fitting instructions

Attach power cable to QikFit TUF<sup>25W</sup> and then feed the power cable into panel, then insert QikFit TUF<sup>25W</sup> at an angle as shown



Apply equal pressure across the front of the QikFit TUF<sup>25W</sup> until it clicks into place



Alternatively, if rear access is available QikFit TUF<sup>25W</sup> can be fitted into the panel first (as above), and then the GST18/3 cable attached afterwards.

