

pandora



White (9003) with Inclined Frame and Grey (7004) fascias

PANDORA is an exciting new solution from OE Electrics for providing power and USB charging in meeting areas. Fitting neatly into a 128mm+ grommet hole with a near flush profile when closed, PANDORA rotates open to provide 360° socket access.

Great looks, simple installation and a choice of international socket options plus of course our class leading 25W TUF USB charger, makes PANDORA perfectly suited to meeting tables, informal break out areas, and use in cafés and hotels .

PANDORA is moulded in either white (9003) or black PC/ABS for both excellent durability and appearance. As an alternative to the standard textured finish, the clean profile of PANDORA when not in use can be enhanced by optional brushed stainless steel inlays.

+ See Fitting Instructions



All Black with Inlay Frame, including optional Stainless Steel Trim

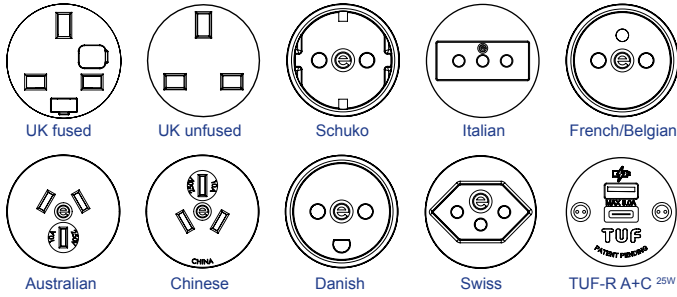
USPs

- Rotates to open/Close
- OE TUF-R A+C 25W option
- 360° socket access
- Optional decorative inlays



technical

Common Modular Components



Power-cord options:

The PANDORA power cord may be hard-wired to a Wieland GST18 male connector, the appropriate mains AC plug for the socket type fitted, or an OE J Coupler for connecting two or more PANDORA units to a single mains supply socket.

Certifications

- AC Power socket: Certified to the appropriate national/international standard eg: BS1363/5733, IEC60884-1, UL498, CCC, AS/NZS3112
- OE TUF5A - IEC60950-1/UL60950-1
- Wieland connectors - IEC 61535

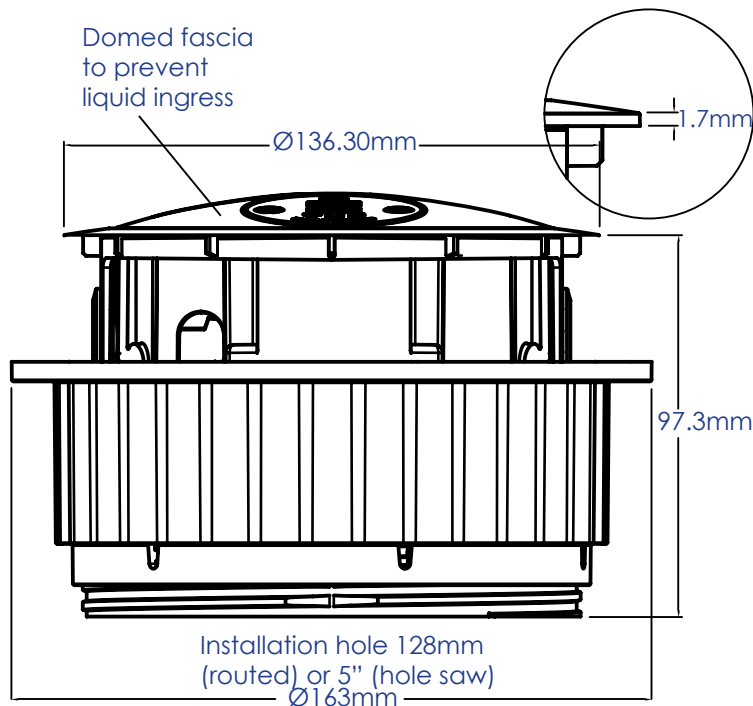
CE Marking

All units built with UK and European socket types are CE marked by OE Electrics as complying with:

- Electromagnetic Compatibility Directive 2014/30/EU
- Low Voltage Equipment Directive 2014/35/EU
- RoHS2 Directive 2011/65/EU

Pandora Dimensions

PANDORA with "INCLINED" grommet:



Features

Configuration

PANDORA's three socket apertures can be configured with any combination of AC power sockets from the OE Electrics 42mm international range and the class leading TUF5A USB charger. PANDORA is not designed to be fitted with data and AV cables.

Construction

Body and grommet - Fire retardant PC/ABS.
Securing nut - Nylon 6.

Colour

White (9003) body with grey socket fascias, and optional colour inlays, or Black body with black socket fascias, and optional brushed stainless steel inlays

Fusing (to enable compliance to BS6396)

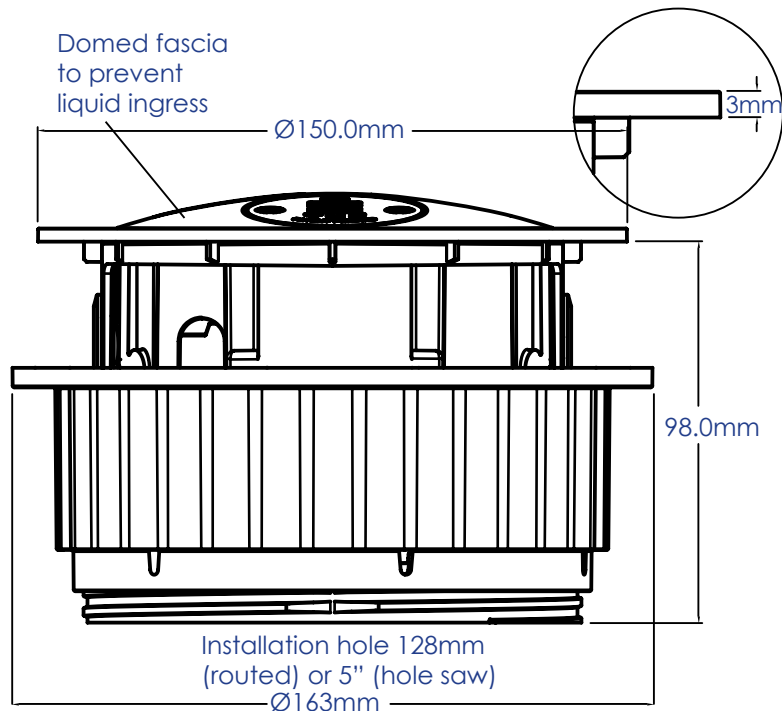
UK fused sockets are fitted with 5 x 20mm anti-surge ceramic fuses, with colour-coded fuse clips to denote the rating (3.15A/5A).

Quality and testing

All PANDORA units are manufactured using ISO9001 quality controlled components and practices and are 100% tested before dispatch.

- Visual: Configuration and appearance.
- Mechanical: correct operation of rotating mechanism.
- Power sockets: Continuity, polarity, insulation & earth
- USB charger: Output voltage and resistance

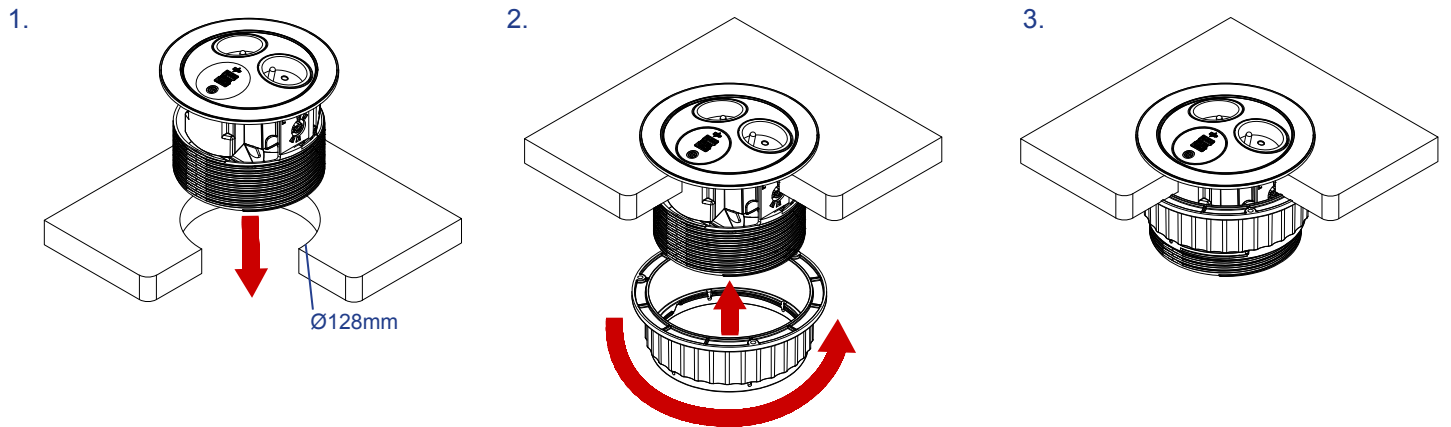
PANDORA with "INLAY" grommet:



technical

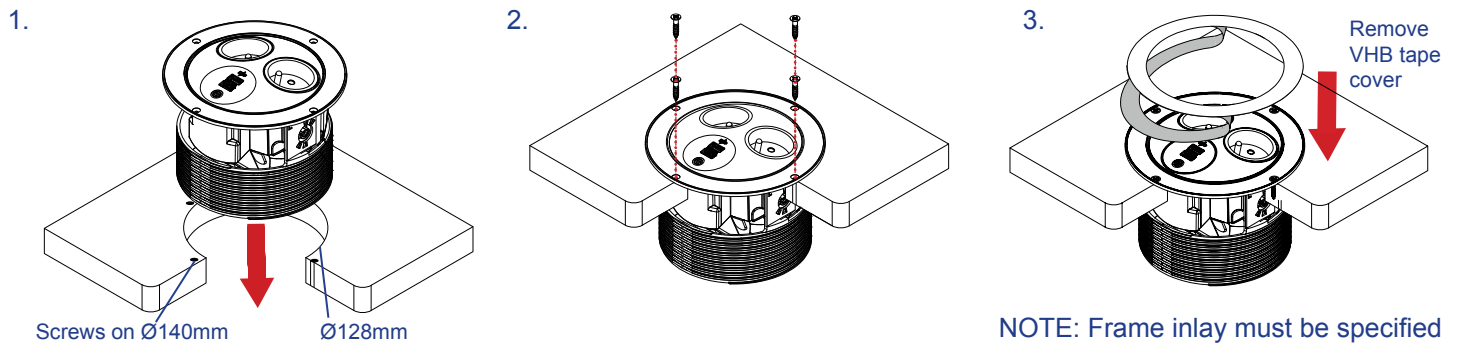
CLAMP FIX (Inlay/Inclined frame)

Rear access required



SCREW FIX (Inlay frame only)

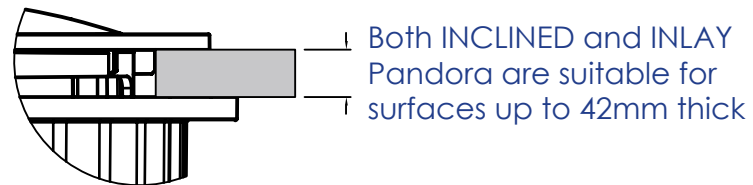
Rear access not required



NOTE: Frame inlay must be specified as required separately with order.

PANDORA drops into a 128mm* grommet hole e.g. in a table top and is then secured by tightening by hand the moulded securing nut. No tools are needed once the grommet hole is cut, but access below/behind the fixing surface is required. Alternatively a PANDORA with the inlay type grommet can be fixed to a surface via four screws without rear access being needed. The inlays will then cover the screw heads.

For both fitting methods it is recommended that the cable to the rear of the panel, next to PANDORA's hinge, is secured using the accompanying Cable Cleat, to prevent drag on the hinge mechanism.



* A 5" (127mm) hole saw will usually achieve a 128mm hole. If the hole is to be CNC machined, please cut a 128mm hole.